

Clamping Pressure Valve NG6 (CETOP 3) manual adjustment with monitoring

The clamping module with manual adjustment for a variety of common clamping pressures.

Construction:

The clamping module comprises of:

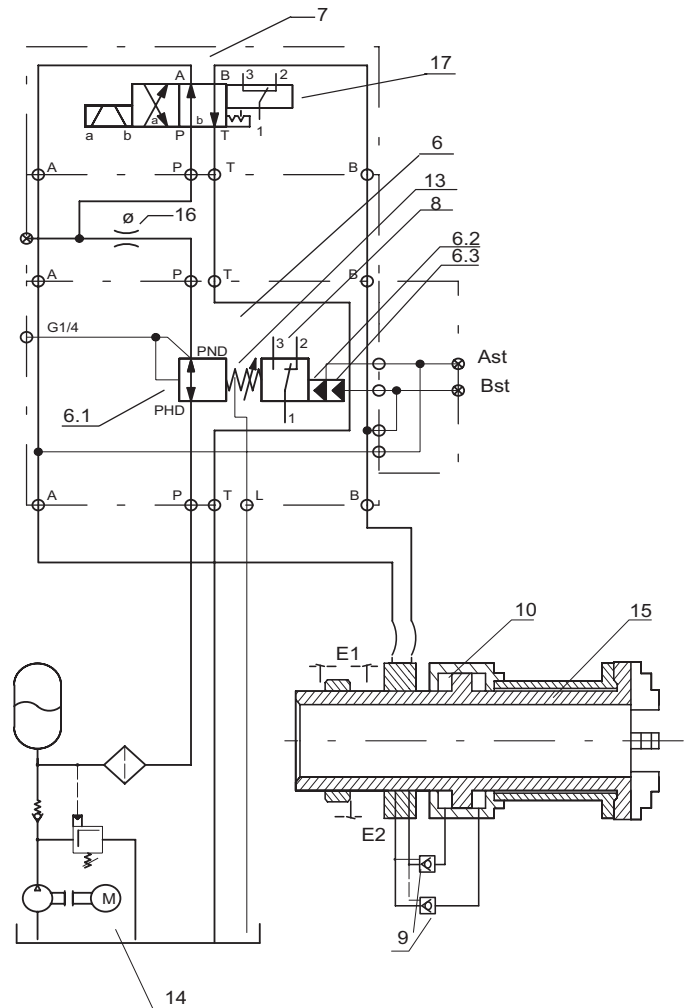
- A manually adjustable pressure reducing valve with integrated electrical monitoring.
- A directional control valve with spool monitoring.

Mode of Operation:

The clamping pressure would be manually adjusted by the machine operator, during this operation the pressure is monitored by pos. 8 (pressure switch).

On reaching the pre-set pressure the monitoring element pos. 8 gives a signal for the actuation of the spindle. To guarantee a safer monitoring of the pressure, the control face of 6.2 and 6.3 are 10% greater than the control face of 6.1 of the pressure reducing valve. During clamp movement a pressure drop occurs over the orifice pos. 16, this in turn prevent a signal from the pressure switch which can only occur when the movement has been completed. Should a signal not be obtained it could also indicate a hose burst. The control lines to the clamp cylinder pos. 15 are independently connected to the pressure switch, thus enabling a clamp and unclamp signal to be given. The directional control valve has spool monitoring, signalling flow direction and at the same time monitoring the pressure switch function.

The spindle has integrated pilot operated check valves pos. 9 which would, in the event of hose burst or hydraulic pressure failure, retain the clamping force until the spindle has come to a stop.



- 6 = Pressure Valve
- 6.1 = Control Face
- 6.2 = Control Face Internal Clamping
- 6.3 = Control Face External Clamping
- 7 = Directional Control Valve
- 8 = Pressure Switch
- 9 = Pilot Operated Check Valve
- 10 = Pressure Distributor
- 13 = Adjustment Mechanism
- 14 = Hydraulic Supply
- 15 = Clamp Cylinder
- 16 = Orifice
- 17 = Spool Monitoring

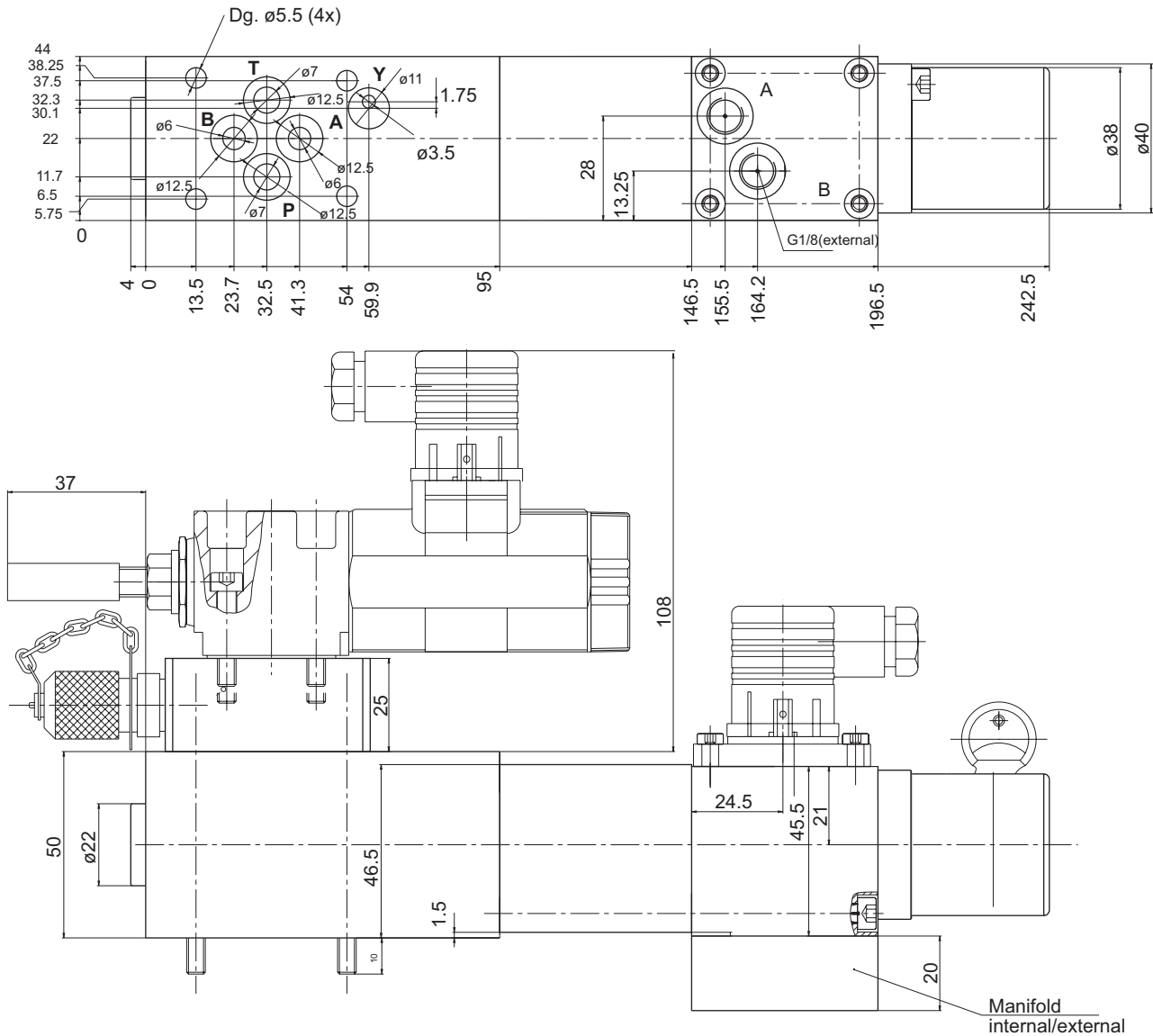
Advantages:

- Automatic pressure switch adjustment during pressure setting.
- Directional indication via spool monitoring.
- Unit stability.
- Good resistance to contamination.

The specifications given herein are subject to alteration

Clamping Pressure Valve NG6 (CETOP 3) manual adjustment with monitoring

Dimension Sheet:



Technical Data:

Maximum Pressure:	$p_{max} = 100 \text{ bar}$
Maximum Flow:	$Q_{max} = 30 \text{ l/min}$
Interface:	NG 6 / Cetop3
Construction:	Module
Protection:	IP65

The specifications given herein are subject to alteration